

APPROVAL SHEETS

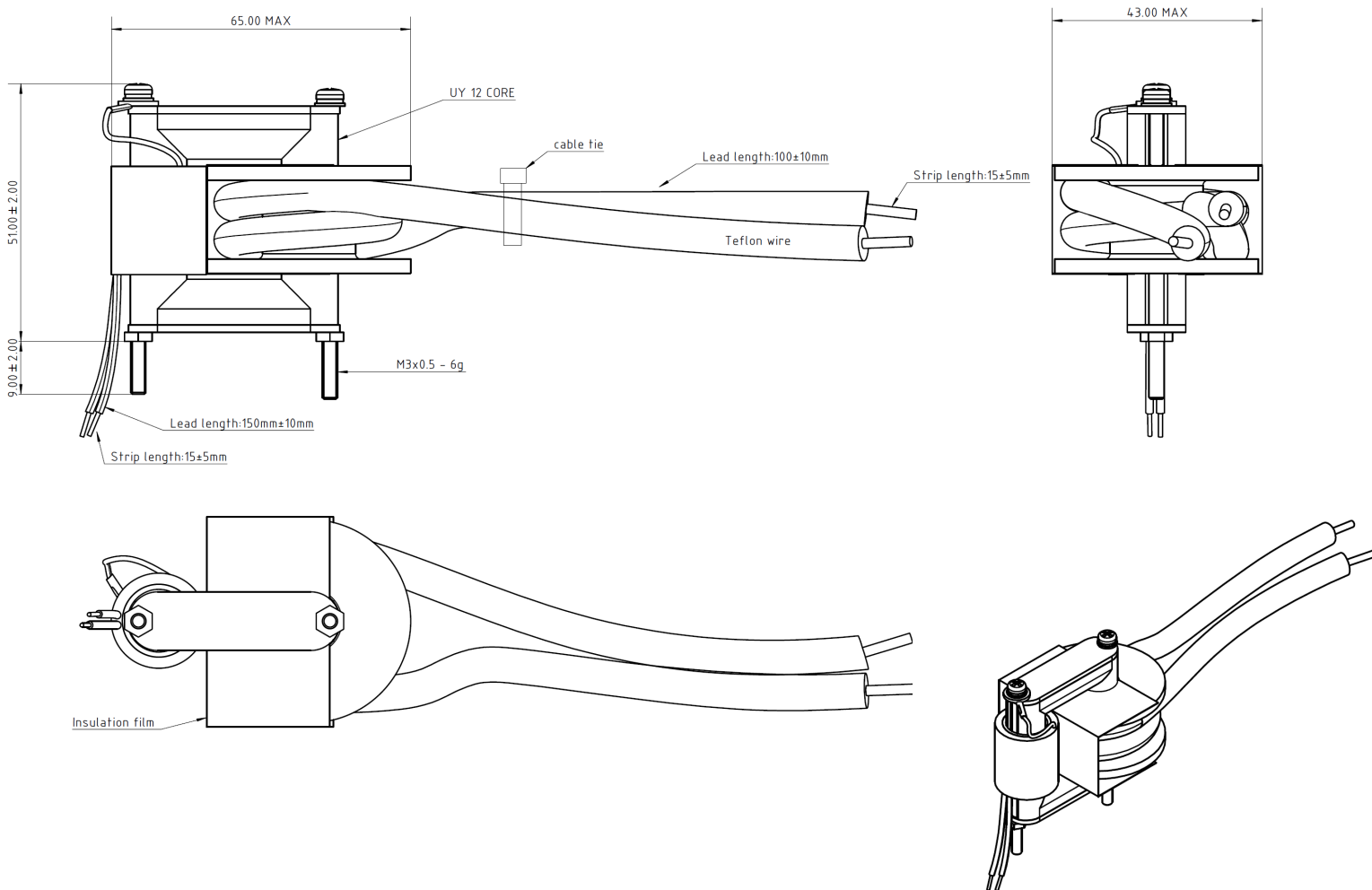
Customer	
Customer Part Number	UY4040
Part Number	LO-UY4040
Product Description	Filament transformer used for X-Ray
Edition	REV A

Supplier			Customer
Approval	Check	Design	Approval

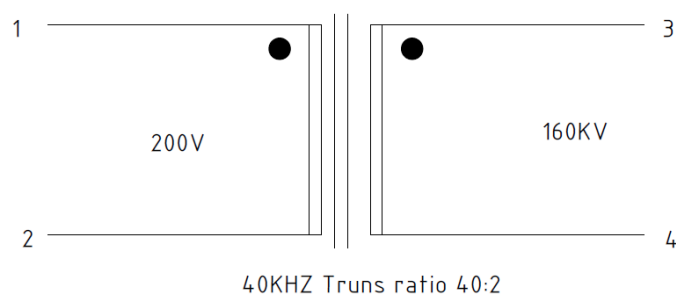
Please return one copy after approved

Part Number	Description	Edition
LO-UY4040	Filament transformer used for X-Ray	REVA
Customer PN(/Description)	Date	Pages
UY4040	2021-09-14	1 / 1

1. Dimensions (unit: mm)



2. Schematic diagram



3. Electrical specifications

S/N	Description	Electrical specifications
1	Inductance L1-2@1KHz · 0.25 Vac/ 25°C	6mH ± 10%
2	Hi-pot test P,S-Core	AC2.5KV,1mA,60s No breakdown
3	Insulation resistance P-S	10000MΩMin @DC500V
4	Operation temperature	-40 °C - +125 °C
5	Storage temperature	-40 °C - +85 °C

Remark : Equipment & Test condition : LCR meter @ 1kHz, 0.25Vac /25° C

4. Technical Requirements

- 1.Wrap 1turn tape on the bobbin before winding
2. Sleeving all starts and finishes of the windings, the Teflon tube should be inserted to the coil
3. Turns ratio 40:2
4. Leakage inductance: 60uHMAX